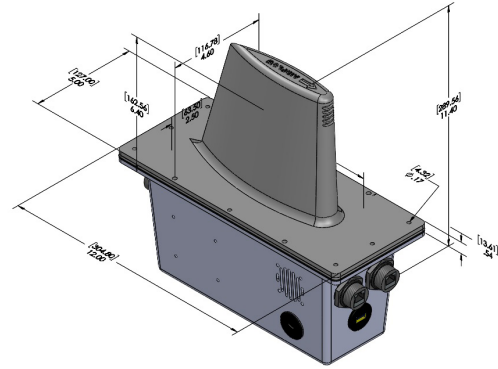
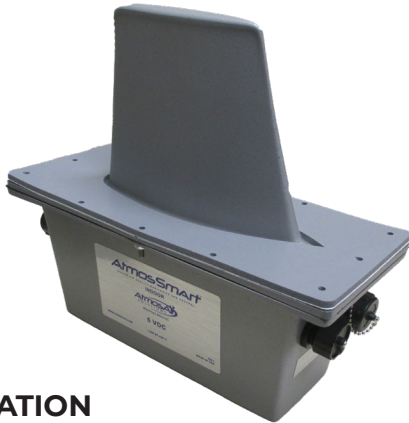


PRODUCT SUBMITTAL

AtmosSmart



APPLICATION

The AtmosSmart ionization system's sensor head & controller is intended to be mounted in the return duct or air handler of a heating, cooling, or ventilating system that is supplying air to the same AHU. The standard unit simplifies monitoring and control of up to eight (8) AtmosAir™ Active Ionization Systems, using BACnet IP Communication.

SPECIFICATIONS

Sensor Suite & Test Ranges	Sensor Application
Air Quality Sensor 1 (50 - 550 ppm)	Integral - TVOC (Total Volatile Organic Compounds)
Air Quality Sensor 2 (0.01 - 4.0 ppm)	Integral - HCHO (Formaldehyde Concentration)
Air Quality Sensor 3 (0.5 - 250 µg/m ³)	Integral - PM 2.5 (Particulate Matter 2.5)
Humidity Sensor 4 (5% - 95% RH)	Integral
Temperature 5 (-10°C to 50°C)	Integral
Ozone Sensor 6 (2 - 50 ppb)	45 ppb Auto-Shutoff
Carbon Monoxide 7 (0.25 - 2.5 ppm)	Integral
Carbon Dioxide 8 (100 - 2500 ppm)	Integral
Air Flow Sensor	Differential Pressure Switch* (Optional: Must be Ordered)
Control Capacity	Up to 8 AtmosAir™ Ionization Systems* Standard Unit (2) BPI (Requires AtmosMultiplier (4) with Optional AtmosEXTender)

Electrical Statistics

Rated Voltage	90 to 240 VAC (Auto Switching)
Frequency	50/60 Hz
Voltage Range	Control - 5 VDC, Cat5e / Cat6
Power Consumption	12 Watts
Current Draw	2.4 Amps (2,400 mA)
Regulation of BPI Control	Algorithm-Based Modulation
Output Current for Modules	5 VDC

Installation Statistics

Required Space [AA508FC] (L/H/D)	704mm (~27.75") x 273mm (~10.75") x 241mm (~9.5")
Sensor Head Size (L/W/D)	305mm (~12") x 127mm (~5") x 267mm (~10.5")
Weight Installation	Sensor 1.5kg (~3.3 lbm) 508FC 10.04kg (~22 lbm)
Internet Connection / Interface	TCP/IP; Optional MSTP Bacnet IP / BMS HDMI Monitor

Product Ratings

Ambient Temperature	-10°C to 50°C
Protection Class	0% - 99% Non-Condensing
Humidity	0% - 99% Non-Condensing
Ingress Protection	IP4I (DIN EN 60529)
Electrical Safety Compliance	EN 60730-1
EMC Compliance	EN 60730-1, EN 61000-6-1, EN 61000-6-3
Directives	2006/95/EC, 2004/108/EC, 2011/65/EU